

**SHINE**



SHO1 Series LED Modular Street Light  
**SIMPLE DESIGN,  
EFFICIENT PERFORMANCE**



**170-180 LM/W LUMINAIRE**

(Optional)



SH01 series LED MODULAR street light are ultimate replacement street light fixtures. It is suitable for high temperature ranges, high dust level and humidity. SH01 series LED MODULAR street light has been developed to ensure maximum energy efficiency in combination with modern technologies in lighting regulation.

## Main Features

- High intensity die-cast aluminum body.
- 0-120° angle adjustable and applicable different mounting arm.
- Replaceable and upgradeable modular design, easy assembly, easy installation and easy maintenance.
- High luminous flux 130-150lm/W.
- Photocell, Surge protector, Wireless single lamp controller optional.
- The complete optical designs, can reach the lighting demand of the various optical applications.

**The Famous Outdoor Luminaires**  
**OEM Manufacturer**



SH01 series street lights are designed by Shine engineer R&D teams based on the outdoor application's demand of Led Street light, adopting many Shine technical patents and special materials, and after using of harsh environmental testing, thus coming out such a perfect street light with simple appearance, easy to install, no tool maintenance, and long life span.



**The Famous Outdoor Luminaires**  
**OEM Manufacturer**

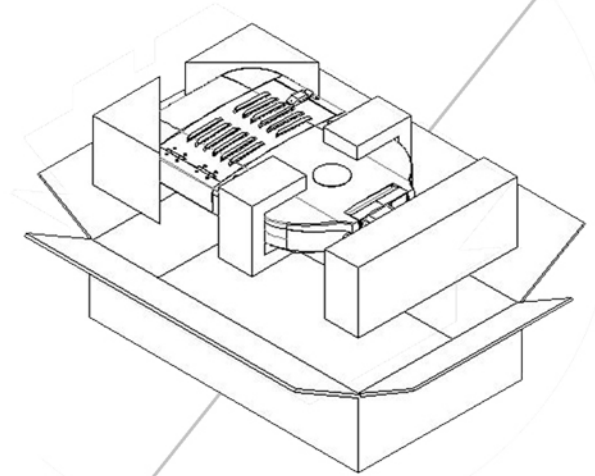


Photocell



Surge protector

Easy to open and install



High-quality carton and EPE sent to protect the products in transit perfectly



1-10V Dimming for Energy Savings.  
 DALI for remote monitoring and reporting and networking.  
 Integrated Dynadim for hassle free, wireless dimming.  
 Adjustable output current for the driver as requirements.  
 Intelligent programmable and over all energy savings

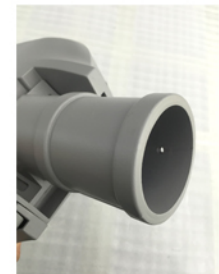
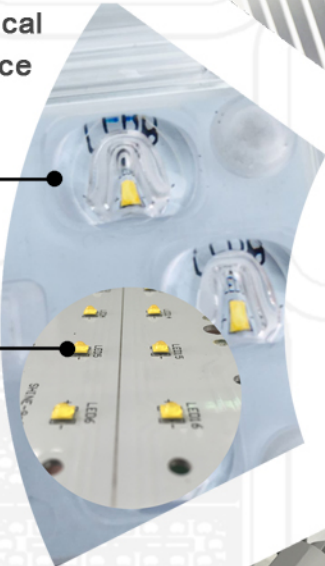
A new-designed back cover:  
 prevent the dust and other stacking

Heat dissipation of the whole structure:  
The design aims to fully utilize the surface area of structural parts to transfer heat to air. The  $T_j$  is lower than  $55^{\circ}\text{C}$  after heat balance

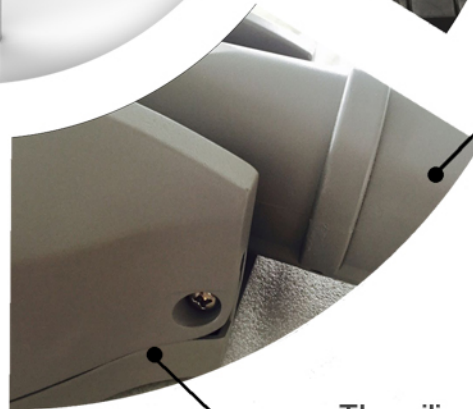
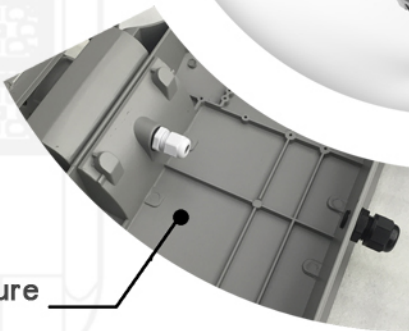
Using high transparency PMMA lens with many Shine technical patents and light transmittance up to 99%



High Luminous high efficiency and low lumen depreciation



High-pressure casting aluminum housing to ensure the strength and reliability of the installation



Bracket:  
can adjust the angle  
 $0-120^{\circ}$



The silicone ring of high quality is built-in without binder



Waterproof connectors:  
Free removal to install, simple and quick



Driver:  
constant current & constant voltage. Adjustable output current for the driver as requirements

Optics & Photometrics

LED Color Temperature	2700K-6500K
Color Rendering Index	>75
Light Distribution & LENS Kit Options	Type I Short ; Type II Short ; Type II Medium ; Type III Medium ; Type III Long ; Type IV Short

Technical Parameters

Input Voltage	90-305VAC , 50/60HZ	DC/AC 12-24V
Power Factor	>0.95	
THD	<15	
Electrical protection	Class I or Class II	
Protection grade	IP67, IK10	
Work Environment	-40°C~+60°C, 10%-95%RH	
LED brand	Luxeon or Cree	
LED lifetime	>100000hours	
LED luminous flux	130-150lm/W, 170-180lm/W can be customized	
Installation pipe	Φ40-60mm	
Housing	Corrosion resistant aluminium	
Paint	20 years protection	

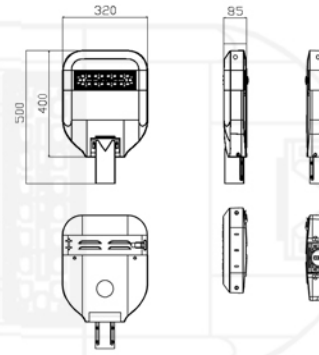
Function options

- 1,Standard ■ 2, 1-10V dimmable □ 3,Photocell □ 4,Single lamp control □ 5,Sensor □  
 6,Intelligent programmable □ 7,10kv surge protect □ 8,Internet wifi □ 9,Video monitoring □

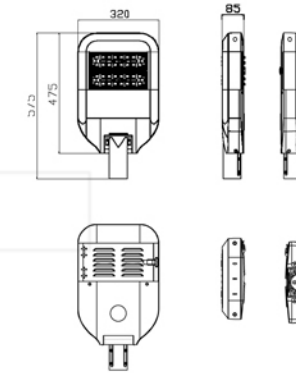
Item	Power	Module QTY	NW/kg	Size	CTN Size
SH0101	20-60W	1	5.6	500*320*85mm	570*390*160mm
SH0102	80-120W	2	7.0	575*320*85mm	645*390*160mm
SH0103	150-180W	3	8.3	650*320*85mm	720*390*160mm
SH0104	200-240W	4	9.4	725*320*85mm	795*390*160mm
SH0105	250-300W	5	10.6	800*320*85mm	870*390*160mm
SH0106	300-350W	6	11.8	875*320*85mm	945*390*160mm



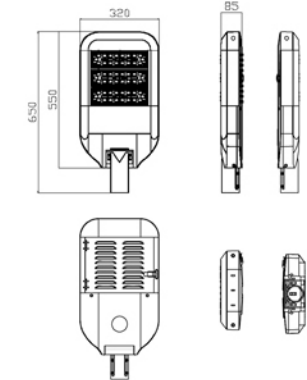
SH0101 20-60W



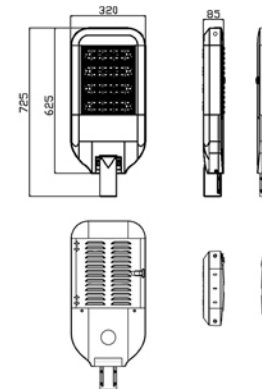
SH0102 80-120w



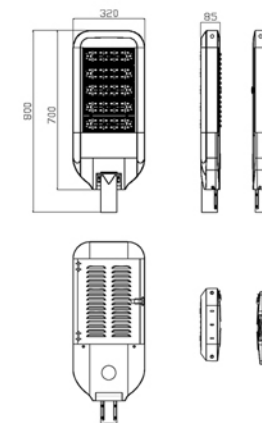
SH0103 150-180W



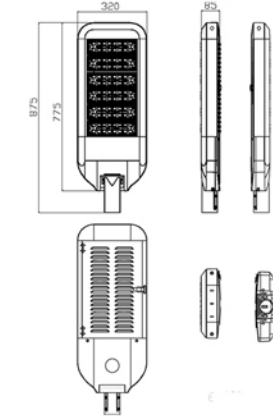
SH0104 200-240W



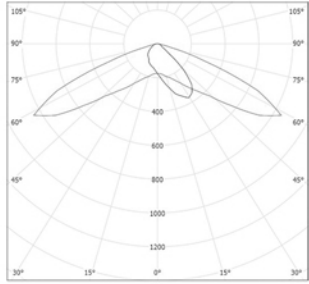
SH0105 250-300W



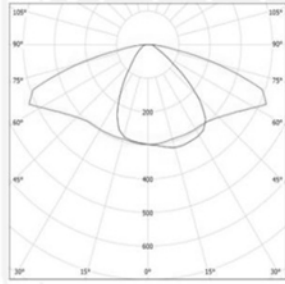
SH0106 300-350W



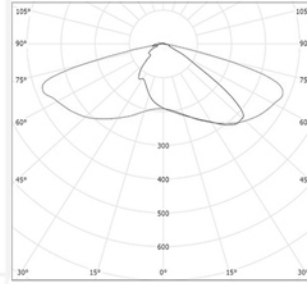
# Distribution Curves



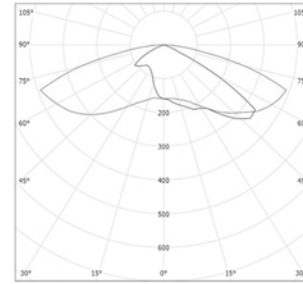
Type I Short



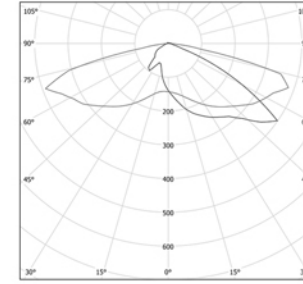
Type II Short



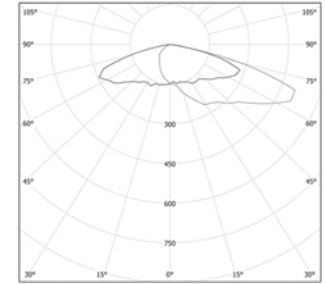
Type II Medium



Type III Medium



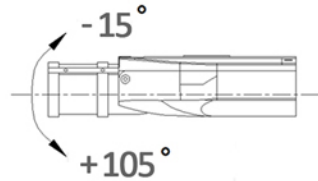
Type III long



Type IV Short

# Installation

2-M8screw



Loosen the 2 pieces M8 screws as above picture

Step 1



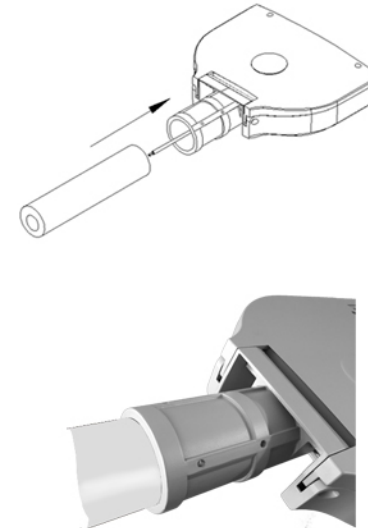
Turn the bracket, adjust the angle of bracket, range is -15 +105 ,tighten the 2 pieces M8 screws after adjust the angle

Step 2



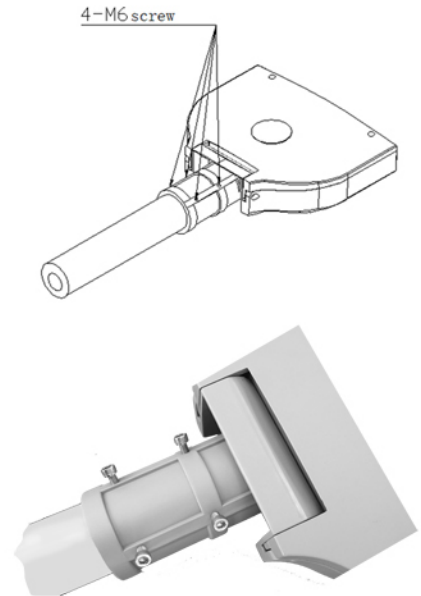
As above picture, after the bracket turn to 90 ,then tighten the 2 pieces M8 screws

Step 3



Insert the poles to the most of bracket of the light, outer diameter of poles should be 40mm- 60mm

Step 4

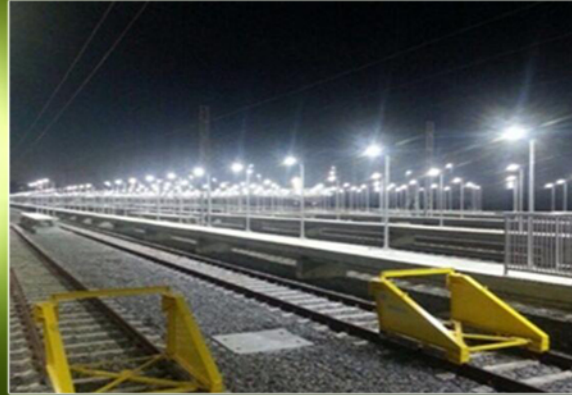


add 4 pieces M6 screws in the bracket to fix the poles

Step 5

# Practical Application

**SHINE**



**The Famous Outdoor Luminaires**  
**OEM Manufacturer**